



YAMAHA NS-C200

GTR

OWNER'S MANUAL

Speaker System

Thank you for selecting this YAMAHA NS-C200 speaker system.

PRECAUTIONS

Read these precautions carefully before using your speaker.

- Any time you note distortion, reduce the volume control on your amplifier to a lower setting. Never allow your amplifier to be driven into "clipping". Otherwise the speaker may be damaged.
- When using an amplifier with a rated output power higher than the nominal input power of the speaker, care should be taken never to exceed the speaker's maximum input.
- Do not attempt to clean the speaker with chemical solvents as this might damage the finish. To clean, wipe with a dry, soft cloth.
- To prevent the enclosure from warping or discoloring, do not place the speaker where it will be exposed to direct sunlight or excessive humidity.

- Do not place the speaker where it is liable to be knocked over or struck by falling objects. Stable placement will also ensure better sound performance.
- Placing the speaker on the same shelf or rack as the turntable can result in feedback.
- When positioning the speaker, be sure to leave some space between the speaker and the wall or other hard surface.
- Secure placement or installation is the owner's responsibility. YAMAHA shall not be liable for any accident caused by improper placement or installation of the speaker.

PLACING THE SPEAKER

Place the center speaker on top of the TV, on the floor under the TV or inside the TV rack so that it is stabilized.

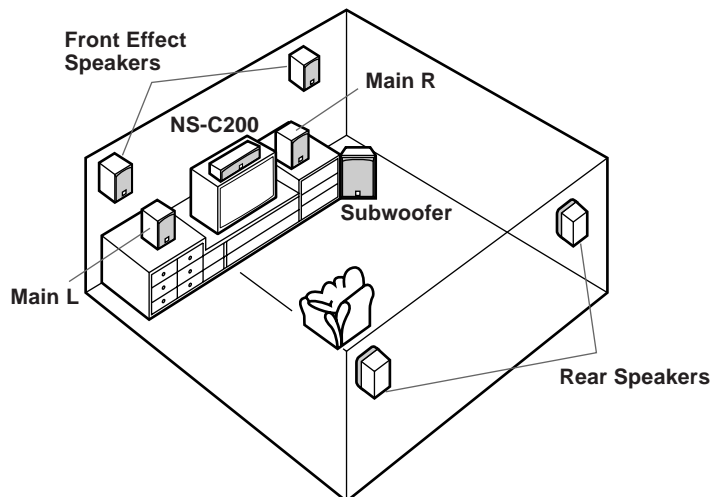
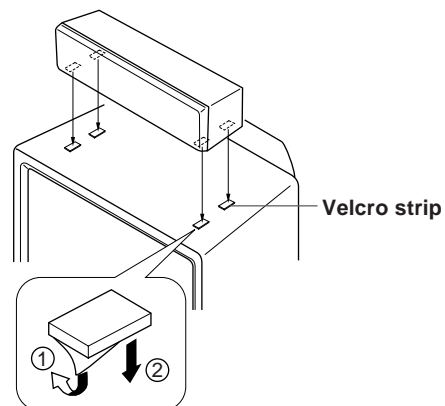
When placing the center speaker on top of the TV, to prevent the speaker from falling down, put the supplied velcro strips at four points on both bottom of the speaker and top of the TV.

The center speaker should be set in alignment with the center of the TV screen.

The positioning of the center speaker is important, because it controls the whole sound quality of a multi channel system. Set up the center speaker on the basis of your listening position by following the owner's manual supplied with your amplifier.

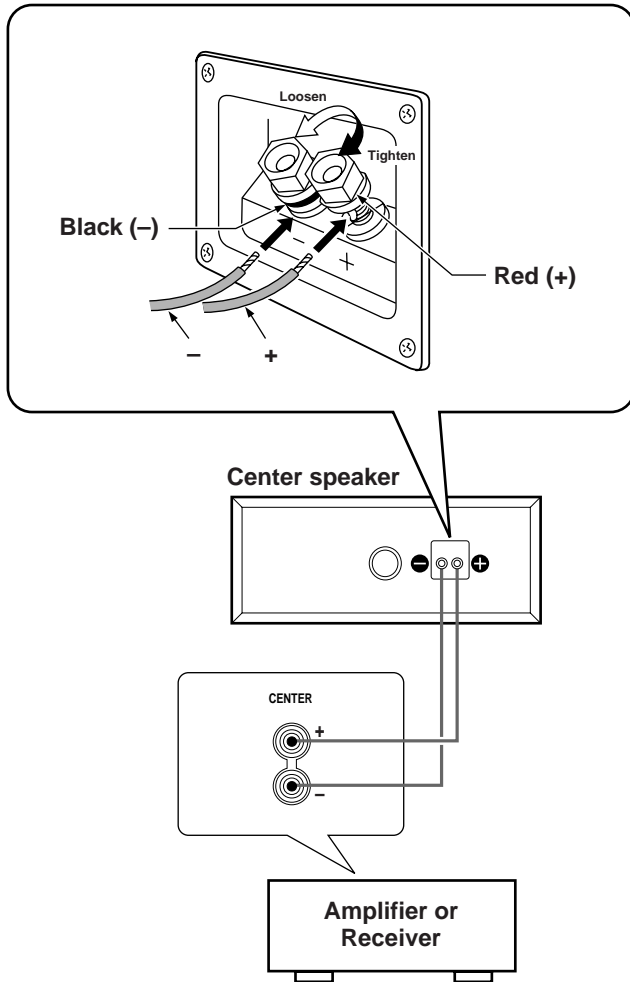
Notes

- **Do not place the center speaker on top of the TV whose area is smaller than the bottom area of the speaker. If placed, the speaker may fall and possibly cause damage or personal injury.**
- **Though this speaker is magnetically shielded, there may be some influence on the TV picture depending on the type of TV or the placement of the speaker. In such a case, place the speaker away from the TV so that there is no influence on the TV picture.**



CONNECTIONS TO YOUR AMPLIFIER

Before making connections, make sure that the amplifier is switched off.



■ Connections

- Connect the screw-type input terminals at the rear of the speaker to the speaker output terminals of your amplifier with the speaker cables.
- Connect the (+) terminals on both the amplifier and the speaker using one side of the cable. Connect the (-) terminals on both components using the other side of the cable.
- Connect the speaker to the center terminals of your amplifier, making sure not to reverse the polarity (+, -). If this speaker is connected with reversed polarity, the sound will be unnatural and lack bass.

Procedure:

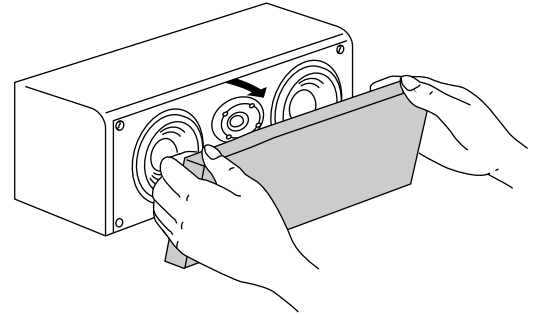
- ① Loosen the terminal knob.
- ② Remove approx. 10 mm insulation from the speaker cable and insert the bare wire end properly into the terminal hole.
- ③ Tighten the knob.
- ④ Test the security of the connections by tugging lightly on the cable at the terminal.

Note

Do not let the bare speaker wires touch each other as this could damage the speaker and/or the amplifier.

REMOVING THE FRONT COVER

The front cover is fastened to the enclosure at four points, and can be removed if desired. To remove the cover, hold on to both sides and slowly pull straight away from the speaker. To reattach, line up the four pegs on the inside surface of the cover with the four corresponding holes on the speaker and push gently.



Note

When the cover is removed, take care not to touch the speaker units with your hands or to exert excessive force with tools.

SPECIFICATIONS

| | |
|------------------------------|--|
| Type | 2-way 3-speaker bass reflex speaker system (Magnetically-shielded type) |
| Driver | 13 cm cone woofer x 2 3 cm dome tweeter |
| Nominal Impedance | 6 ohms |
| Frequency Response | 57 Hz – 35 kHz |
| Nominal Input Power | 100 W |
| Maximum Input Power | 300 W |
| Sensitivity | 90 dB/2.83 V/m |
| Crossover Frequency | 3 kHz |
| Dimensions (W x H x D) | 500 x 168 x 201 mm |
| Weight | 7 kg |
| Accessory | Velcro strips (4 sets) |

- Specifications subject to change without notice due to product improvements.
- Care should be taken not to exceed the input power values noted above.